

NOTE UNLESS OTHERWISE SPECIFIED

ZONE	LTR	DATE	APPROVED
------	-----	------	----------

- 1. BNC MALE P/N 8907  
MATERIAL:  
BODY & CENTER CONTACT;  
BRASS 1/2 HARD PER QQ-B-626 ALLOY 360.  
INSULATOR; TEFLON PER L-P-403

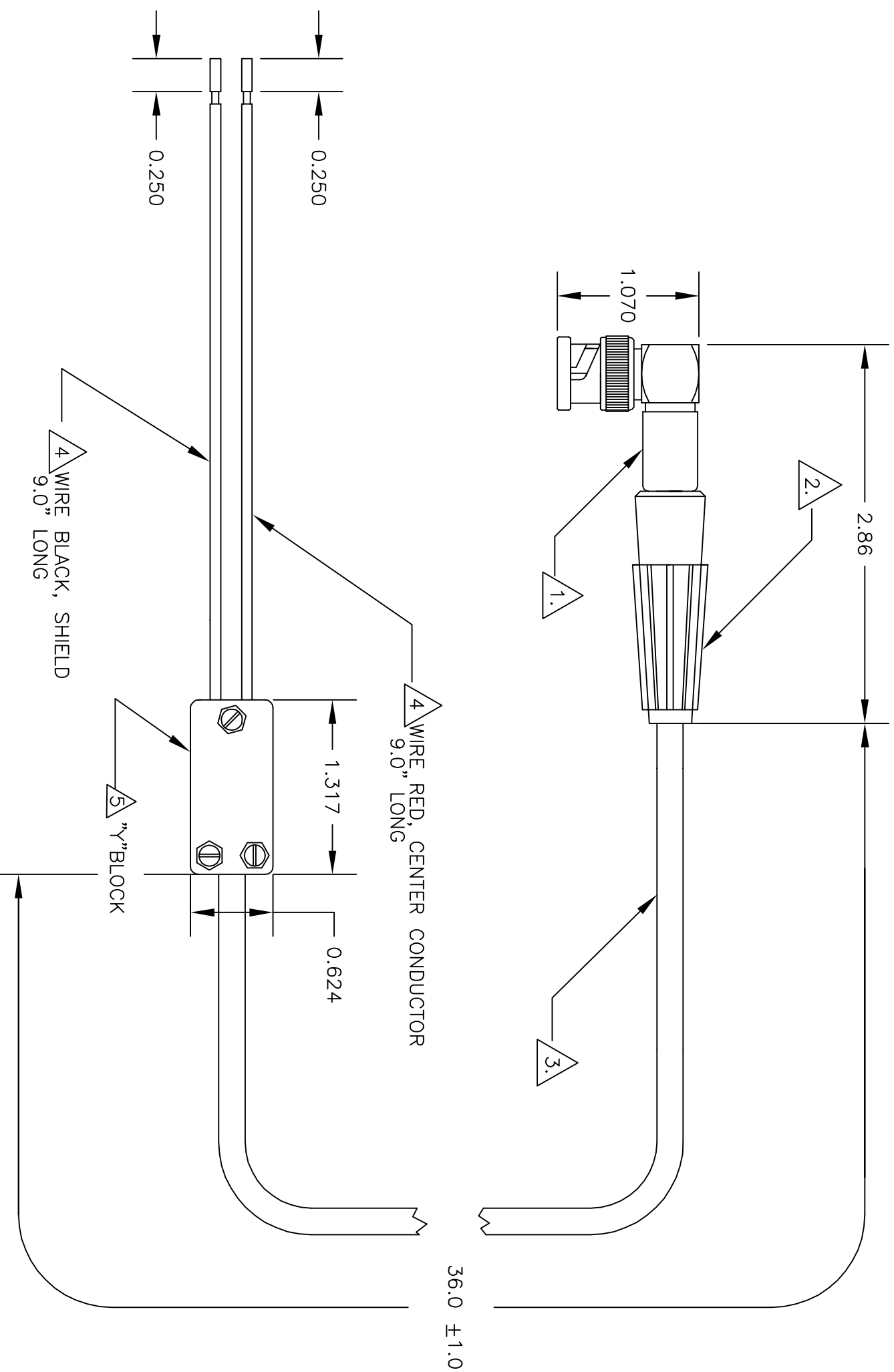
FINISH:  
BODY & FITTINGS; TARNISH RESISTANT  
TRI-METAL PLATING  
CENTER CONTACT GOLD PLATED

- 2. STRAIN RELIEF BOOT P/N SR-58  
MATERIAL: BUNA-N 40 DUROMETER  
COLOR BLACK.

- 3. COAXIAL CABLE P/N C-1000/0  
RG 58 C/U PER MIL-C-17D

- 4. WIRE P/N W-500/COLOR  
20 AWG 105X40 TINNED COPPER  
P.V.C. INSULATION .020" WALL  
.080" O.D. UL1160  
MAX. TEMP. 105° C  
MAX. VOLTAGE 600 V.

- 5. "Y" BLOCK P/N Y-1000  
MOLEDDED NYLON TYPE 6 OR 6/6  
BLACK, HARDWARE STAINLESS STEEL.



UNLESS OTHERWISE SPECIFIED DIMENSIONS ARE IN INCHES TOLERANCES ARE: FRACTIONS DECIMALS ANGLES ± .XX ± .XXX ±		CONTRACT NO.		E-Z-HOOK ARCADIA, CA. 91006	
MATERIAL SEE NOTES.		APPROVALS	DATE	R/A BNC MALE TO TWO LEADS ONLY	
FINISH SEE NOTES.		DRAWN S.B.W.	10/12	SIZE	CODE IDENT NO.
NEXT ASSY		CHECKED		B	08505
APPLICATION		USED ON		SCALE FULL	DRAWING NO.
		DD NDT SCALE DRAWING			9099-0435-36
				SHEET 1	OF 1